



Model:KNPL-800Plus

6Line Enterprise-class IP Phone

KNPL-800plus is a high-end business IP phone. It is suitable for users who need flexibility and advanced functions, so that they can easily cope with the busy and complex work needs in their works. KNPL-800plus has 10 DSS keys on its 7.2-inch main color display screen and up to 192 DSS keys (38 physical keys) on its two 3.5-inch side color display screen. Therefore, KNPL-800plus can configure up to 106 DSS keys for setting BLF/fast number and multicast functions. KNPL-800plus is also equipped with high-definition voice, built-in Bluetooth, WIFI links, EHS support, Gigabit dual-port PoE, can be photographed with IP.



HD audio, handset and speakerphone with support for wide-band audio

6 LINES

6 line keys with up to 4 SIP accounts, 8MPK extension keys with dual-color LED with 2 Left/Right keys



Dual LCD screens with digital BLF keys



Enterprise-level protection including secure boot, dual firmware images, and encrypted data storage



Integrated dual-band 802.11 a/b/g/n WiFi



Megabytes

Dual switched auto-sensing 10/100 Mbps Megabytes Ethernet ports with integrated PoE



Swappable face plates to allow for easy logo customization



Integrated Bluetooth

KNPL-800plus business class SIP phone

High-ranking phone function More efficient



6 SIP Line



High Digital



Three screen



Bluetooth



192 DSS key



Inner Wifi



7.2-Inchs Colorful screen Two 3.5-Inchs DSS screen

The surface design is very elegant ,with touch screen and high resolution screen.

With the intelligent user interface it could be breakthrough surface and experiment.

Angle



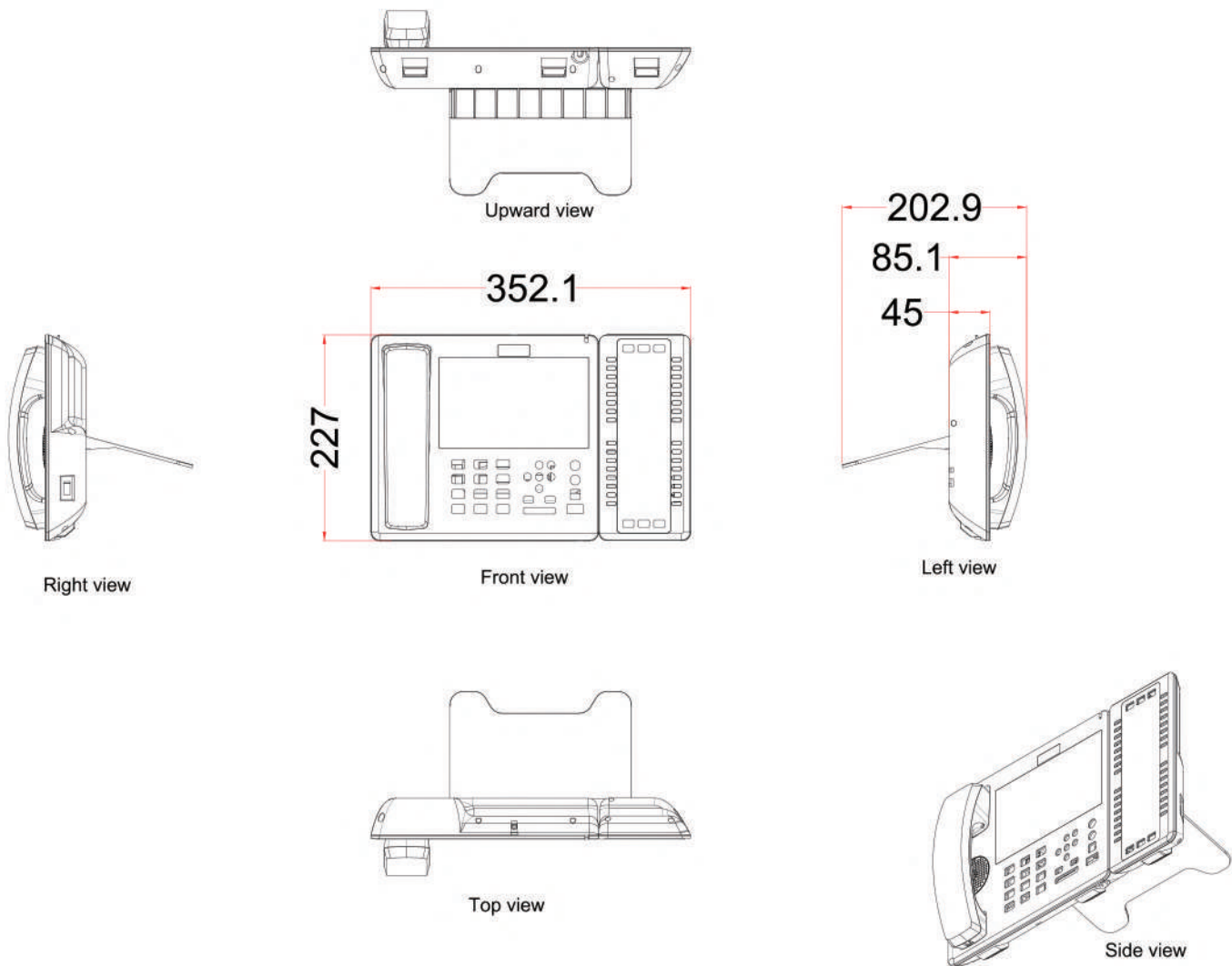
50°


Function schedule (KNPL-800plus)

- *6 SIP Lines tripartite conference.
- *HD sound quality. (handset and speaker)
- *7.2-inches corlorful screen.
- *Two 3.5-inchs DSS corlorful LCD.
- *Equipment 192 DSS key.
- *Megabytes Double Network Port,POE is optional funtion.
- *Inner Bluetooth function.
- *Connectible Wifi. (Wi-fi Dongle)
- *Surport EHS earphone.
- *H.264 Video Decoding for Video Telephone.
- *Surport mainstream IP PBX/softswitch/IMS Platform. 3CX, Asterisk, Broadsoft,Elastix,Avaya.



| | |
|--|--|
| Protocols/Standards | SIP RFC3261, TCP/IP/UDP, RTP/RTCP, HTTP/HTTPS, ARP, ICMP, DNS(A record,SRV,NAPTR), DHCP, PPPoE, TELNET, TFTP, NTP, STUN, SIMPLE, LLDP, LDAP, TR-069, 802.1x, TLS, IPV4. |
| Network Interfaces | Dual switched auto-sensing 10/100 Mbps Megabytes Ethernet ports with integrated PoE. |
| Graphic Display | 7.2 inch. |
| HD Audio | Yes,HD handset and speakerphone with support for wideband audio. |
| DSS Key | 192 DSS key on 4.3 inch screen. |
| Voice Codecs and Capabilities | Support for G7.29A / B, G.711μ/a-law, G.726, G723, in-band and out-of-band DTMF (in audio, RFC2833), SIP INFO. |
| Feature Keys | 6line keys with up to 6SIP accounts, 8MPK extension keys with dual-color LED with 2Left/Right keys, 4XML programmable context sensitive softkeys, 5navigation/menu keys, 11dedicated, for: MESSAGE (with LED indication), phonebook,transfer,conference,hold,handset,mute,send/redial,speakerphone,vol+,vol- |
| Base stand | Base support |
| Telephone Feature | Hold, transfer, forward, call park, call pickup, downloadable phonebook(XML,LDAP, up to 2000 items), call waiting, call log(up to 2000 records), off-hook auto dial, auto answer, flexible dial plan, hot-desking, personalized music ringtones and music.on hold, server redundancy and fail-over |
| QoS | Layer 2 QoS (802.1Q, 802.1P) and Layer 3 (ToS, DiffServ, MPLS) QoS |
| Multi-language | English, German, Italian, French, Spanish, Portuguese, Russian, Croatian, Chinese,Korean, Japanese etc. |
| Security | User and administrator level passwords, MD5 and MD5-sess based authentication, TLS, 802.1x media access control, secure boot |
| Upgrade/Provisioning | Firmware upgrade via FTP/TFTP / HTTP / HTTPS/TR-069, mass provisioning. |
| Temperature and Humidity | Operation: 0°C to 40°C, Storage: -10°C to 60°C Humidity: 10% to 90% Non-condensing |
| Power & Green Energy Efficiency | Universal power adapter included - Input:100-240V ; Output: +12V, 1.5A ; IntegratedPower-over-Ethernet(802.3af), Max power consumption 3.5W(power adapter) or 4W(PoE) |
| Package Content | KNPL-800Plus phone, handset with cord, phone stand, 12V power adapter, network cable, Quick Installation Guide. |
| Physical | Unit weight: 950g ; Package weight: 1460g Dimension: 234mm x 213mm x 82.2mm |
| 800plus characteristic | 192DSS keys two colorful screen |
| Compliance | CE: EN 55032; EN 55035; EN 61000-3-2; EN 61000-3-3; EN 60950-1; EN 301489-1; EN 301489-17; EN 300328; EN 301893; EN 62311RCM: AS/NZS CISPR32; AS/NZS 61000.3.2; AS/NZS 61000.3.3; AS/NZS 4268; AS/NZS 60950.1; AS/CA S004 12V power adapter |



| | | | | |
|--|---------------------------------------|--------------------|--|---------------------------|
| 投影关系 Projective relation  | 产品名称: KNPL-800PLUS总装图 Item Name: * | |  深圳市西骏科技有限公司 昆仑科技 HK KOON Technology Ltd | |
| 未注角度与线性尺寸公差按 GB/T 1804-m Unspecified angle and linear dimension common difference according to GB/T 1804-m | 产品型号: Product model: KNPL-800PLUS | | 主板型号: PCB model: * | |
| | 结构图号: * Artwork Number: * | | 防水等级: IP Rating: * | |
| 材料: Material: * | 批准: Ratifier: * | 日期: Date: * | 表面处理: * Surface treatment: * | |
| 毛刺面: 内侧 Burr side: BURRSIDE | 审核: Checked by: * | 日期: Date: * | | |
| 单位: Measure unit: mm | 比例: Scaling: 1:1 | 绘图: Drawn by: * | 日期: Date: * | 页数: Paginal number: 页数 |
| | | | 日期: Date: * | 版本: Version: 版本 |