



Model:KNPL-700Plus

6Line Enterprise-class IP Phone

The KNPL-700plus is a high-end business IP phone for users who need flexibility and advanced features to easily handle busy work.Complex work needs. The KNPL-700plus's upgraded color display has 10 DSS buttons, the two most on the 3.5-inch side color display.More than 192 DSS buttons (38 physical buttons) can be configured, so the KNPL-700plus can be configured with up to 202 DSS buttons for setting Set BLF/speed dialing, multicast function, etc. KNPL-700plus is also equipped with HD voice, built-in Bluetooth, support WIFI link, support EHS, 100M dual network port PoE, can be connected with Ip camera / video access control. KNPL-700plus with high-end features can greatly enhance the company Industry communication efficiency.



HD audio,handset and speakerphone with support for wide-band audio



Swappable face plates to allow for easy Logo customization

6 LINES

6 line keys with up to 6 SIP accounts,8MPK extension keys with dual-color LED with 2 Left/Right keys



Megabytes

Dual switched auto-sensing 10/100 Mbps Megabytes Ethernet ports with integrated POE



Dual LCD screens with digital BLF keys

KNPL-700plus business class SIP phone

High-ranking phone function More efficient



6 SIP Line



High Digital



Three screen



192 DSS Key



4.3-Inchs Colorful screen Two 3.5-Inchs DSS screen

The surface design is very elegant ,with touch screen and high resolution screen.

With the intelligent user interface it could be breakthrough surface and experiment

Angle



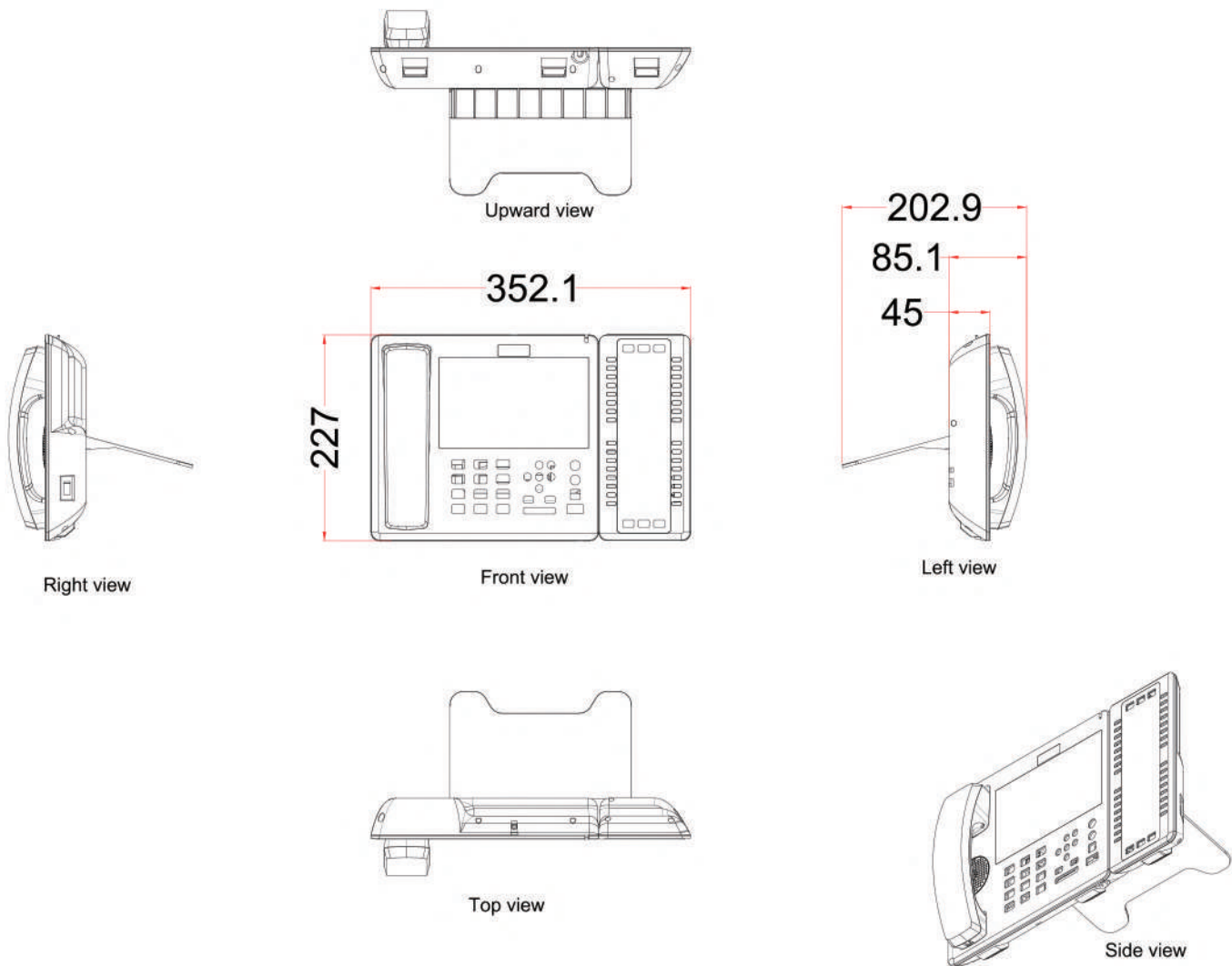
50°


Function schedule (KNPL-700plus)

- *6 SIP Lines tripartite conference.
- *HD sound quality. (handset and speaker)
- *4.3-inches corlorful screen.
- *Two 3.5-inchs DSS corlorful LCD
- *Equipment 192 DSS key
- *Megabytes Double Network Port,POE is optional funtion.
- *Inner Bluetooth function
- *Surport EHS earphone
- *Surport mainstream IP PBX/softswitch/IMS Platform
3CX, Asterisk, Broadsoft,Elastix,Avaya.



Protocols/Standards	SIP RFC3261, TCP/IP/UDP, RTP/RTCP, HTTP/HTTPS, ARP, ICMP, DNS(A record,SRV,NAPTR), DHCP, PPPoE, TELNET, TFTP, NTP, STUN, SIMPLE, LLDP, LDAP, TR-069, 802.1x, TLS, IPV4.
Network Interfaces	Dual switched auto-sensing 10/100 Mbps Megabytes Ethernet ports with integrated PoE.
Graphic Display	4.3 inch.
HD Audio	Yes,HD handset and speakerphone with support for wideband audio.
DSS Key	192 DSS key on 4.3 inch screen.
Voice Codecs and Capabilities	Support for G7.29A / B, G.711μ/a-law, G.726, G723, in-band and out-of-band DTMF (in audio, RFC2833), SIP INFO.
Feature Keys	6line keys with up to 6SIP accounts, 8MPK extension keys with dual-color LED with 2Left/Right keys, 4XML programmable context sensitive softkeys, 5navigation/menu keys, 11dedicated, for: MESSAGE (with LED indication), phonebook,transfer,conference,hold,handset,mute,send/redial,speakerphone,vol+,vol-
Base stand	Base support
Telephone Feature	Hold, transfer, forward, call park, call pickup, downloadable phonebook(XML,LDAP, up to 2000 items), call waiting, call log(up to 2000 records), off-hook auto dial, auto answer, flexible dial plan, hot-desking, personalized music ringtones and music.on hold, server redundancy and fail-over
QoS	Layer 2 QoS (802.1Q, 802.1P) and Layer 3 (ToS, DiffServ, MPLS) QoS
Multi-language	English, German, Italian, French, Spanish, Portuguese, Russian, Croatian, Chinese,Korean, Japanese etc.
Security	User and administrator level passwords, MD5 and MD5-sess based authentication, TLS, 802.1x media access control, secure boot
Upgrade/Provisioning	Firmware upgrade via FTP/TFTP / HTTP / HTTPS/TR-069, mass provisioning.
Temperature and Humidity	Operation: 0°C to 40°C, Storage: -10°C to 60°C Humidity: 10% to 90% Non-condensing
Power & Green Energy Efficiency	Universal power adapter included - Input:100-240V ; Output: +12V, 1.5A ; IntegratedPower-over-Ethernet(802.3af), Max power consumption 3.5W(power adapter) or 4W(PoE)
Package Content	KNPL-700plus phone, handset with cord, phone stand, 12V power adapter, network cable, Quick Installation Guide.
Physical	Unit weight: 950g ; Package weight: 1460g Dimension: 234mm x 213mm x 82.2mm
700plus characteristic	202 DSS keys two colorful screen
Compliance	CE: EN 55032; EN 55035; EN 61000-3-2; EN 61000-3-3; EN 60950-1; EN 301489-1; EN 301489-17; EN 300328; EN 301893; EN 62311RCM: AS/NZS CISPR32; AS/NZS 61000.3.2; AS/NZS 61000.3.3; AS/NZS 4268; AS/NZS 60950.1; AS/CA S004 12V power adapter



投影关系 Projective relation 	产品名称: KNPL-800PLUS总装图 Item Name: *		 深圳市西骏科技有限公司 昆仑科技 HK KOON Technology Ltd	
	未注角度与线性尺寸公差按 GB/T 1804-m Unspecified angle and linear dimension common difference according to GB/T 1804-m		产品型号: Product model: KNPL-800PLUS 结构图号: * Artwork Number: *	
材料: Material: *	批准: Ratifier: *	日期: Date: *	表面处理: * Surface treatment: *	
毛刺面: 内侧 Burr side: BURRSIDE	审核: Checked by: *	日期: Date: *	页数: 页 Paginal number: 页 版本: 版本 Version: 版本	
单位: Measure unit: mm	比例: Scaling: 1:1	绘图: Drawn by: *	日期: Date: *	